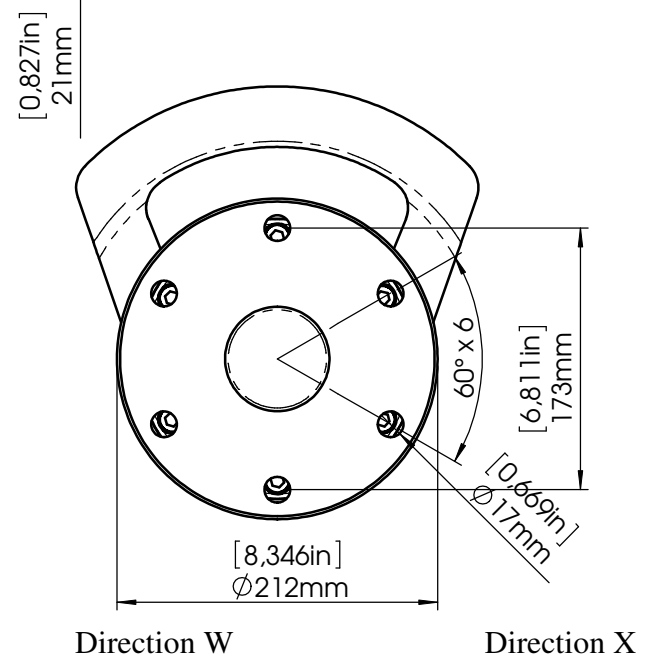
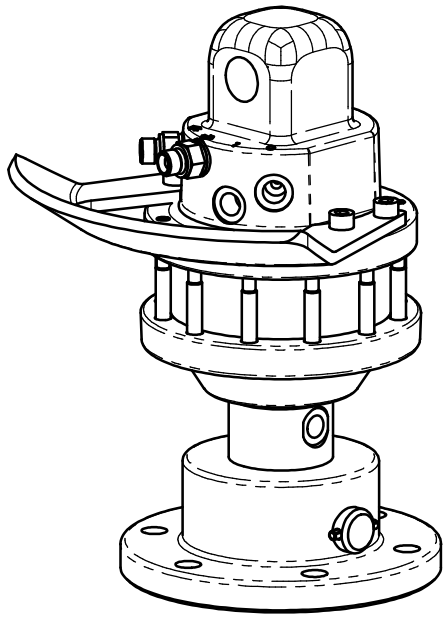
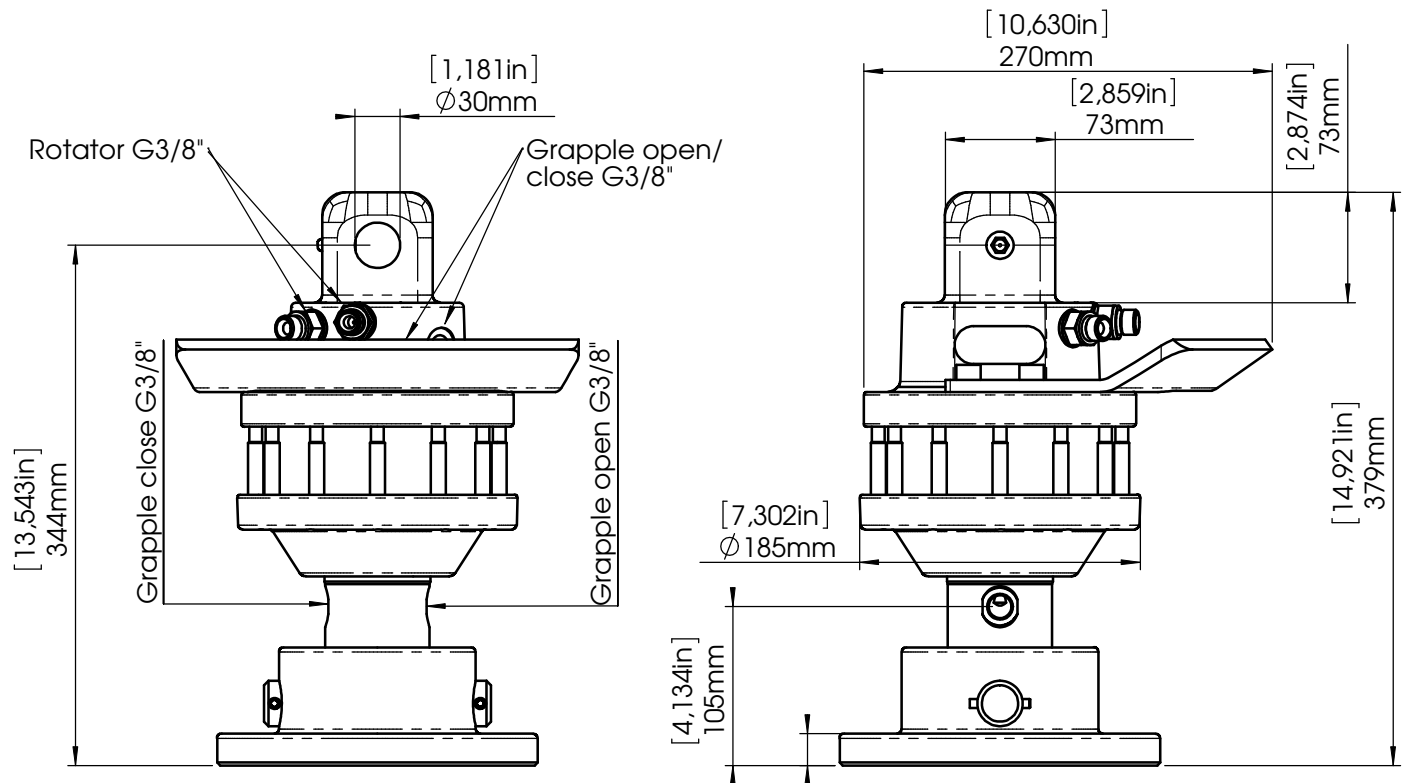
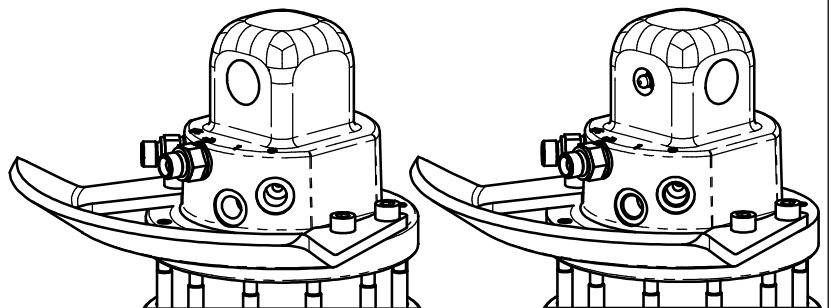


# Rotator FR 15 B173



FR 15 B173	
Rotation angle	Unlimited
Max. working pressure	200 bar
Displacement	464 cm <sup>3</sup>
Torque (200 bar)	1150 Nm
Max. axial force	82 kN
Safe working load	5500 kg
Weight	32 kg



Basic models				
Item	Name	Direction	D1	Flange
11521	FR 15-X30B173	X	30	B173
11523	FR 15-W30B173	W	30	B173